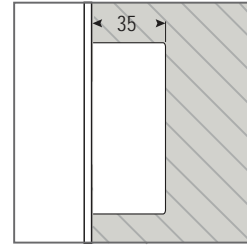




Wall Box Depth - 35mm



Button Switch and Dimmer Controls

Single Plate 1 Button Switch on/ off

81.2301.12	Chrome	
81.2301.34	Brushed Nickel	
81.2301.35	Antique Brass	
81.2301.37	Bronze	
81.2301.50	Black	
81.2301.57	White	

Shaver Socket

81.0008.12	Chrome	
81.0008.34	Brushed Nickel	
81.0008.35	Antique Brass	
81.0008.37	Bronze	
81.0008.50	Black	
81.0008.57	White	

Single Plate 1 Button Dimmer

81.2001.12	Chrome	
81.2001.34	Brushed Nickel	
81.2001.35	Antique Brass	
81.2001.37	Bronze	
81.2001.50	Black	
81.2001.57	White	

Bathroom Triple Isolator Switch 3 x 6 amp

81.2017.12	Chrome	
81.2017.34	Brushed Nickel	
81.2017.35	Antique Brass	
81.2017.37	Bronze	
81.2017.50	Black	
81.2017.57	White	

Single Plate 2 Button Switch on/off

81.2302.12	Chrome	
81.2302.34	Brushed Nickel	
81.2302.35	Antique Brass	
81.2302.37	Bronze	
81.2302.50	Black	
81.2302.57	White	

Selva Switch Pack 50 - 800 watt



Single Plate 2 Button Dimmer

81.2002.12	Chrome	
81.2002.34	Brushed Nickel	
81.2002.35	Antique Brass	
81.2002.37	Bronze	
81.2002.50	Black	
81.2002.57	White	

Selva Dimmer Switch Pack



Dimmer Pack, 50 - 700 watt to use with 81.1008

Double Plate 2 Button Switch on/off

81.2202.12	Chrome	
81.2202.34	Brushed Nickel	
81.2202.35	Antique Brass	
81.2202.37	Bronze	
81.2202.50	Black	
81.2202.57	White	



Selva Fluorescent Pack 1 - 10 Ballasts



Double Plate 2 Button Dimmer

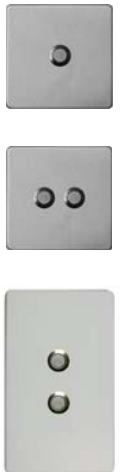
81.2232.12	Chrome	
81.2232.34	Brushed Nickel	
81.2232.35	Antique Brass	
81.2232.37	Bronze	
81.2232.50	Black	
81.2232.57	White	

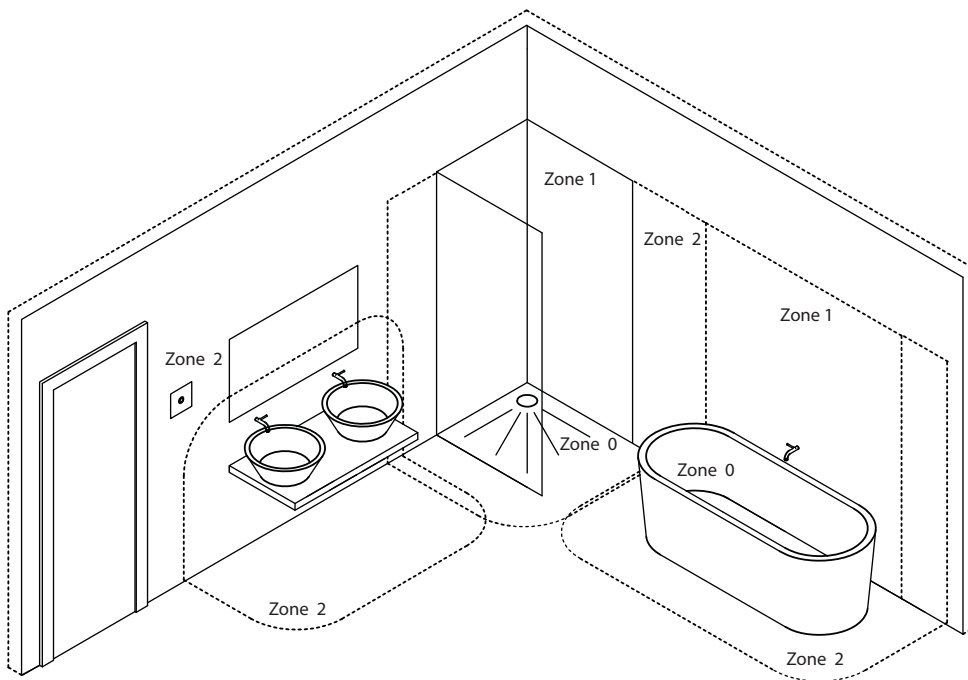
Selva LED Switch Pack 1 - 40 watt



Technical Data

Finish	Painted/ plated
Material	brass
Safety	BS 4678
	BS EN 50085-1





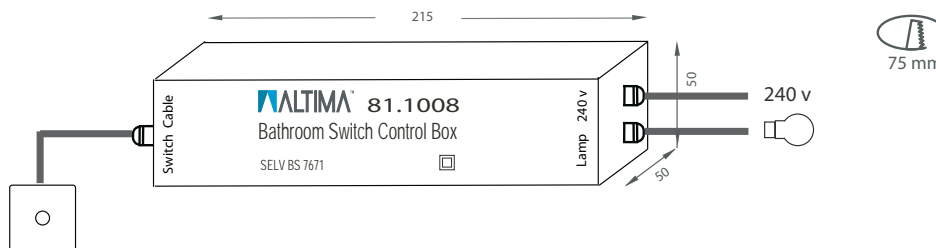
SELVA Switch Pack for use inside bathroom

The Altima SELVA bathroom switch controller allows electrical switches to be used safely inside bathrooms, provided that they are installed in the Zone 2 areas, as per regulation 601-05 of BS7671 and EN 60950, with minimum load 50 watt. See our diagram on the following page.

The ALTIMA bathroom switch controller isolates the wall lighting switch from the mains power supply so that only **Safe Extra Low Voltage current is present**. There are special Altima SELVA Switch Packs to operate dimmers and for use with LED and fluorescent lighting.



75 mm



SELVA Switch Packs

- 81.1008 Selva Switch Pack
- 81.1009 Selva Dimmer Switch Pack to be used with LS.D700
- 81.1010 Selva Fluorescent Pack
- 81.1011 Selva LED Pack

ALTIMA Switches for use inside bathroom in Zone 2

Single Plate 1 Button Dimmer

- 81.2001.12 Chrome
- 81.2001.34 Brushed Nickel
- 81.2001.35 Antique Brass
- 81.2001.37 Bronze
- 81.2001.50 Black
- 81.2001.57 White

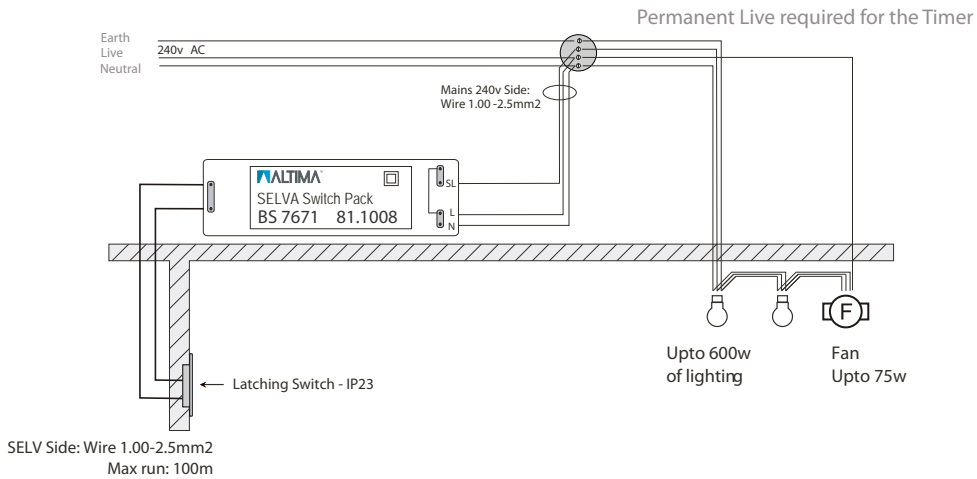
Single Plate 2 Button Dimmer

- 81.2002.12 Chrome
- 81.2002.34 Brushed Nickel
- 81.2002.35 Antique Brass
- 81.2002.37 Bronze
- 81.2002.50 Black
- 81.2002.57 White

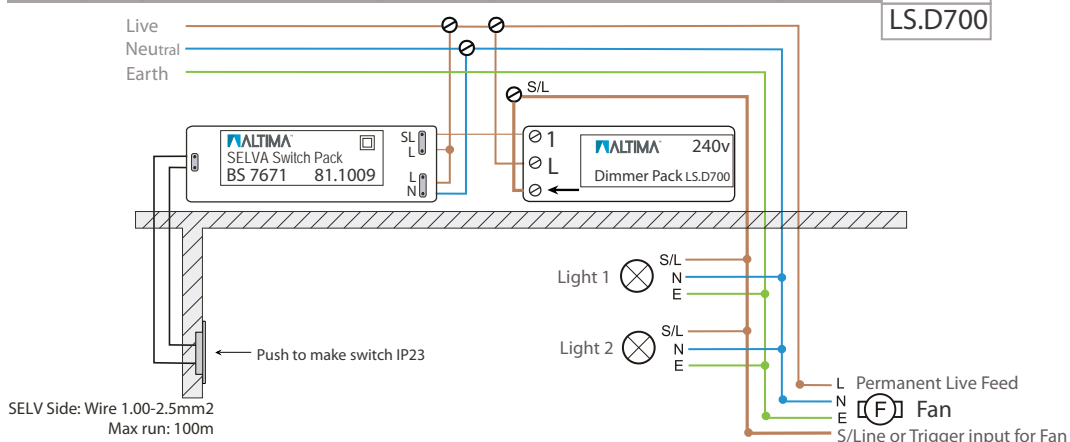
Single Plate 1 Button Switch on/off

- 81.2301.12 Chrome
- 81.2301.34 Brushed Nickel
- 81.2301.35 Antique Brass
- 81.2301.37 Bronze
- 81.2301.50 Black
- 81.2301.57 White

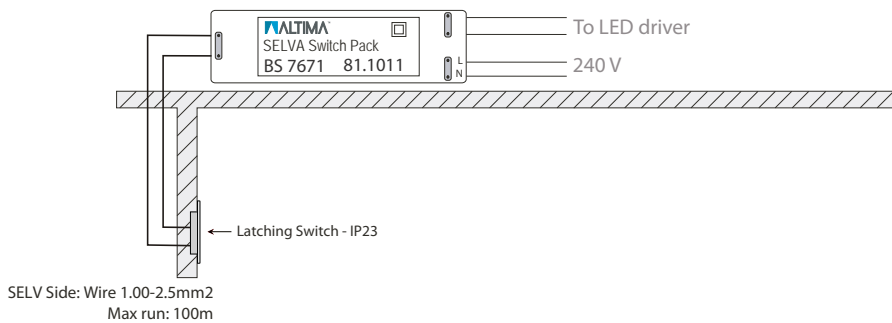
Wiring Diagram SELVA Switching for Halogen, Fluorescent and Tungsten 81.1008



Wiring Diagram SELVA Dimming for Halogen, Fluorescent and Tungsten 81.1009



Wiring Diagram SELVA Switching LED. 81.1011



Wiring The SELVA switch Pack is prewired as illustrated. We recommend the wall light switch to be IP23 rated. If the Load is less than 50 watt we can supply a Bottom Load device 81.BL01. Under 17th Edition of Wiring Regulations typically lighting installations controlling 230v circuits should be backed by RCD (Residual Current Device) protection.

Technical Data	
Nominal Supply Voltage	240V AC
Min Load	50 watt
Max Load	1000 watt
Ambient Temperature	35° C
Cut out	75 mm
Approvals	BS 7671 EN 60950