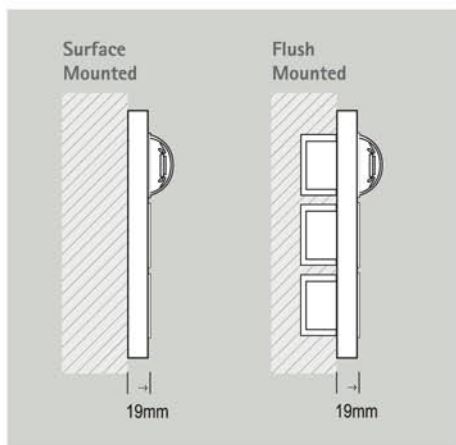


# Camera and Video

## External - Camera



**Outdoor Station**  
Camera, Speaker and 3-gang  
LED Switch

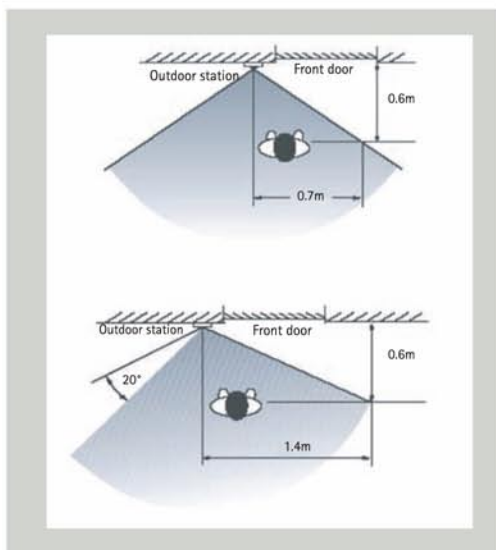


For the Outdoor Stations there is the option of using pre-assembled, surface-mounted door stations or flush-mounted stations where individual components can be combined as desired.

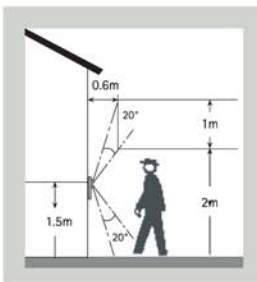
### Camera Features

The camera has a detection radius of 100°. It also features a unique day/night switch-over feature. If the ambient brightness drops below a value of 1 lux it automatically switches from day to night mode. The camera features a visibility range of 30m.

During daylight images are relayed in colour. At night time black and white images are relayed to the video screen.



The camera lens can be manually adjusted approx. 20° in all directions.



When positioning a door station with a colour camera, please note the following items.

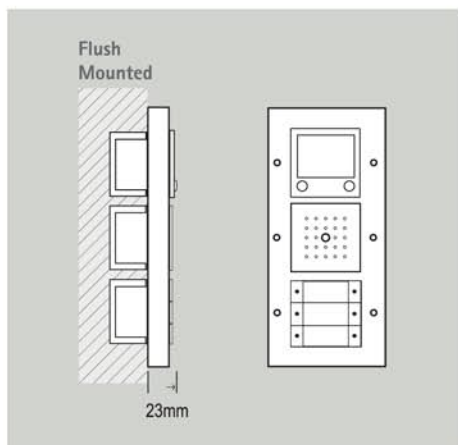
### Avoid

- direct sunlight
- direct backlighting e.g. via outdoor or street lighting.
- installation of the camera directly below a light source.

## Internal - Video



**Indoor Station**  
TFT Video Display, Speaker and  
3-gang Push Switch



In conjunction with a 3-gang cover frame any of the flush-mounted home stations can be combined with the video function.

For this purpose the 1.8" TFT Colour Video display is used. As the video signal transfer takes place via 2-wires, this expansion is possible at a later time.

### Video features

The video display allows you to see from the inside who is outside the front door. It is activated automatically as soon as someone rings but can be activated manually at any time.

The activation button can be used to switch over from one connected camera to a maximum of three further ones.