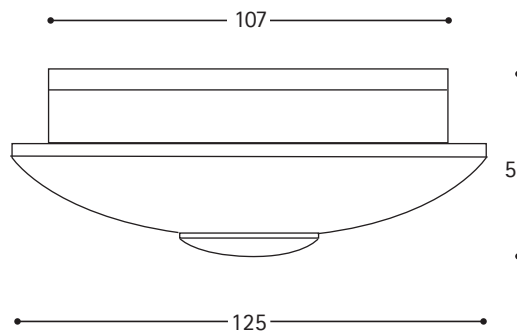




**Heat Detector**

Heat Detector 220-240 hard wired with 9V battery back up. Fixed temperature Type White



**LSG.1263H** Heat Detector  
**LSG.1236** Smoke Detector

**Technical Data**

Sensor	Photoelectric Senseo
Test	Power & Alarm Test Button
Signal	Loud 85 dB Alarm Signal
Connection	Interconnectable up to 40 Heat and/or Smoke alarms

