

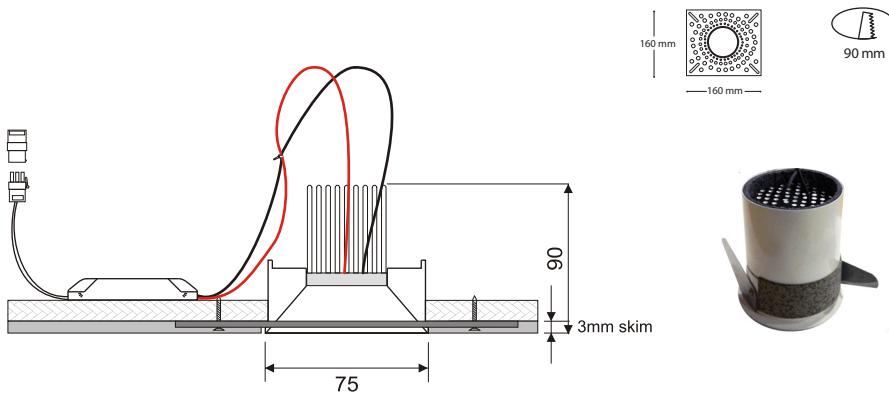
L Aquaray 8 Trimless 11 watt, 1000 lumens

Aquaray 8 Trimless consists of a soft, low brightness cone with frosted glass.

The wall switch for these can be fitted inside the bathroom, please see pages 4C1.2.3

Optional 1 hour Firehood.

LED Switched or Dimmable options with integral drivers.



L High Output LED 12 watt 800 lumen - Colour Temperature 3000 Kelvin Warm White

LED Switch
12.6506L.57

With Firehood
12.6507L.57

Dimmable LED 1 - 10
12.6506LD.57

Dimmable with Firehood
12.6507LD.57

LED Technical Data


Material	Aluminium
CutOut	95mm
Lamp	12w 800 lumen 3000 Kelvin
Protection	IP65
Approvals	

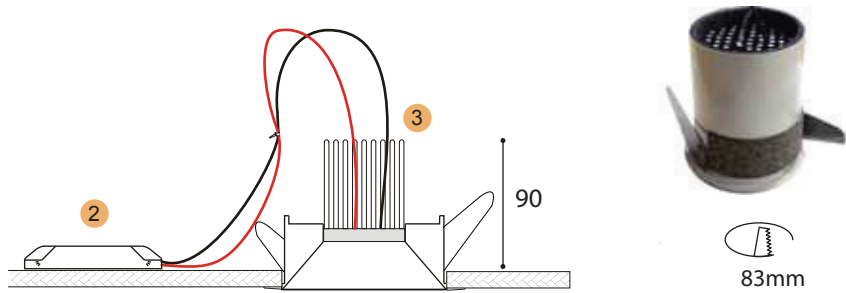
Dimming	1-10v Dimmable with 81.1015
	Wafer Button Multiway
	Wafer Rotary 1-10v
	DALI
	Trailing Edge



IP65

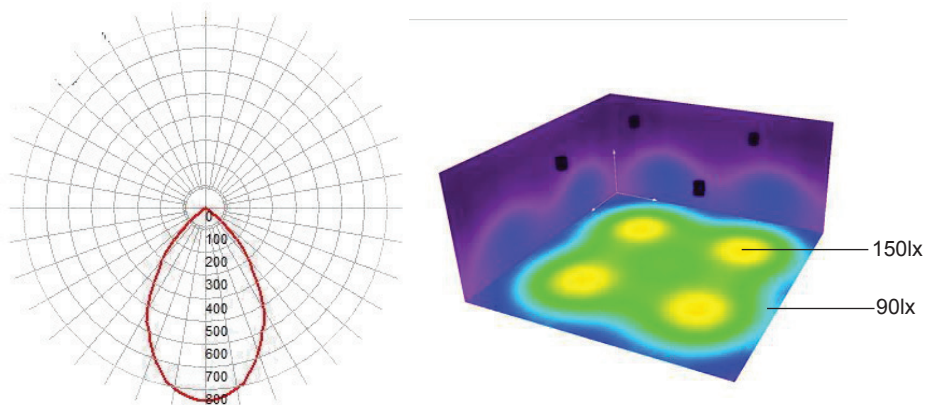
Aquray 8 Trimless

LED Technical Data	
Material	Aluminium
CutOut	95mm
Lamp	12w 800 lumen 3000 Kelvin
Protection	IP65
Approvals	
Dimming	1-10v Dimmable with 81.1015
	Wafer Button Multiway
	Wafer Rotary 1-10v
	DALI
	Trailing Edge



- 2 Switched or Dimmable driver
- 3 Firehood option

Light Distribution for Aquaray 8



Aquray 8 shown in a typical room (5x5m) with a ceiling height of 2.4m

Dimming

For information on dimming controls, please see section 9 Wafer range for dimming options 1-10v, DALI and Trailing edge.

Emergency

Emergency option supplied complete with relevant gear and battery pack.
 Electronic emergency test switch available, please see page 7C1 for 81.EM02.57
 For information on Flexible Emergency Lighting Remote Power Packs see page 7A4.



IP65