

# Aquaray 8 Trimless



IP65



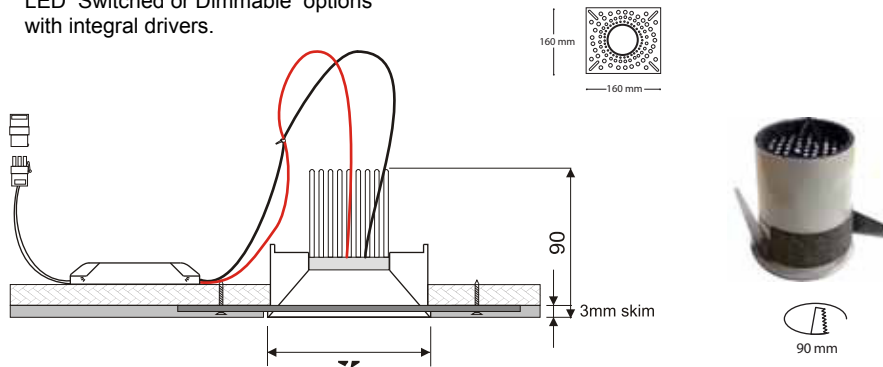
**L** Aquaray 8 Trimless 11watt 1000 lumens

Aquaray 8 Trimless consists of a soft, low brightness cone with frosted glass.

**The wall switch for these can be fitted inside the bathroom, please see pages 4C1.2.3**

Optional 1 hour Firehood.

LED Switched or Dimmable options with integral drivers.




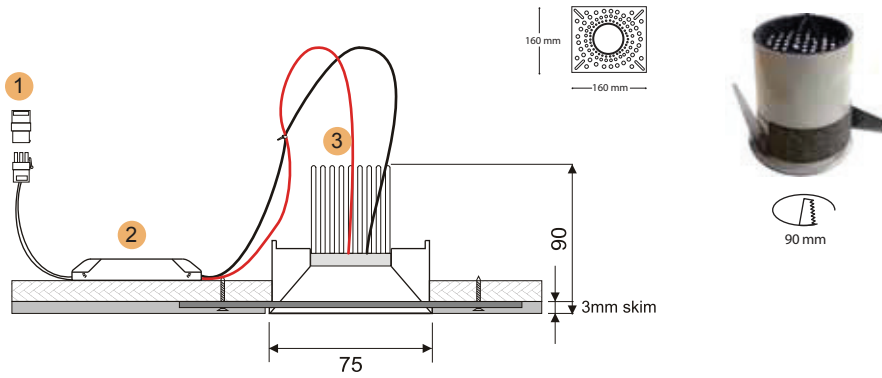
**L** High output 12 watt 1200 lumens - colour temperature 3000 kelvin warm white

LED Switch  
**12.6506L.57**  
 1-10v Dimmable  
**12.6506LD.57**  
 DALI Dimmable  
**12.6506LDD.57**  
 Trailing Edge Dimmable  
**12.6506LDt.57**

LED Switch  
**12.6507L.57**  
 1-10v Dimmable  
**12.6507LD.57**  
 DALI Dimmable  
**12.6507LDD.57**  
 Trailing Edge Dimmable  
**12.6506LDt.57**

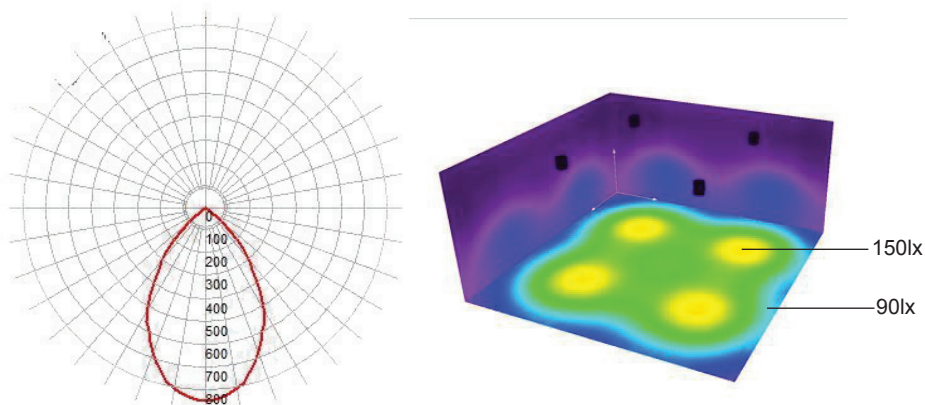
LED Technical Data

Material	Aluminium	CRI	80
CutOut	90mm	Dimming	1-10v Dimmable with 81.1015 DALI Trailing Edge
Lamp	12w 800 lumen 3000 Kelvin		
Protection	IP65		
Approvals			



- 1 Primary plug and socket, enabling the socket to be prewired with first fix
- 2 Switched or Dimmable driver
- 3 Firehood option

Light Distribution for Aquaray 8 Trimless



Aquaray 8 shown in a typical room (5x5m) with a ceiling height of 2.4m

**Dimming**

For information on dimming controls, please see section 9 Wafer range for dimming options 1-10v, DALI and Trailing edge.

**Emergency**

Emergency option supplied complete with relevant gear and battery pack.  
 Electronic emergency test switch available, please see page 7C1 for 81.EM02.57  
 For information on Flexible Emergency Lighting Remote Power Packs see page 7A4.



IP65